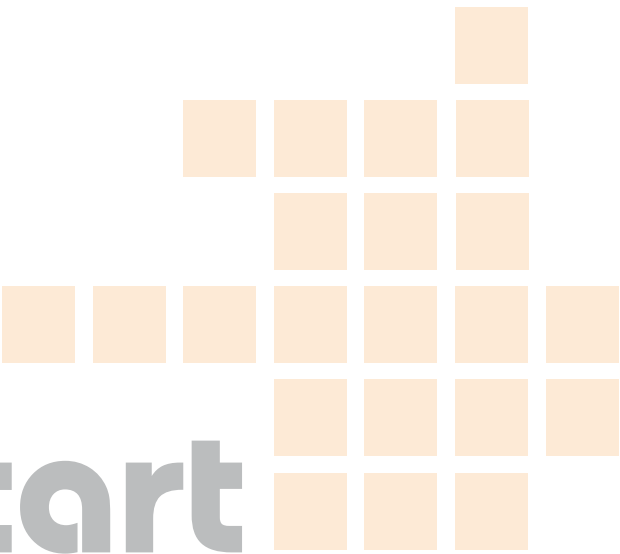
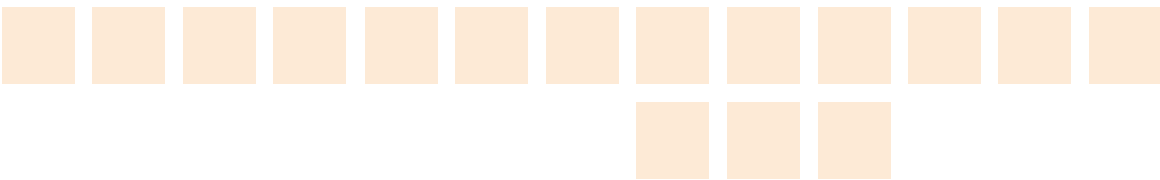


compact-cart





THE COMPACT CART WITH A SPECIAL MISSION

compact-cart offers an amount of work area in a particularly compact design. The low centre of gravity and the projecting castors provide outstanding tilt stability.

The choice between the two basic frames "Economy" – for small cable volumes – and the outstanding "Profi" version with expanded routing capacity and optional isolating transformer make **compact-cart** an all-rounder in a number of areas such as

- Endoscopy or
- Ultrasound diagnostics



compact-cart



compact-cart Application for use measuring technical data of dialysis equipment.



compact-cart Application for endoscopic spinal surgery



compact-cart Arthroscopy application

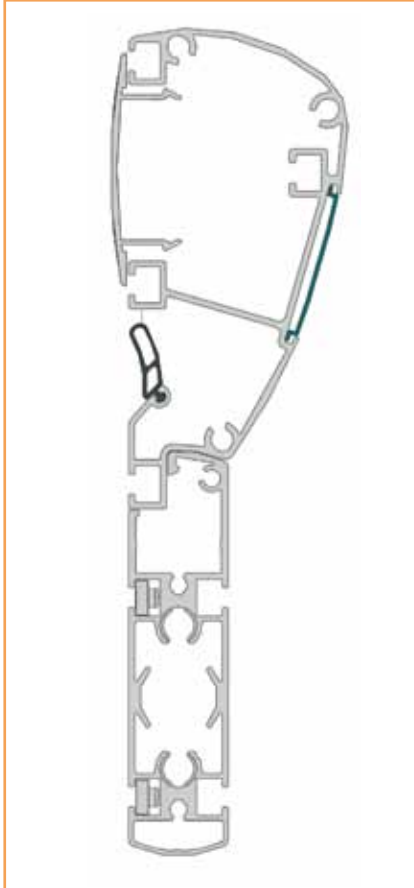
Technical data

from page 100

Order configurations **compact-cart**

from page 104

compact-cart – THE HIGHLIGHTS AT A GLANCE



The power columns affixed to the vertical support column enable **direct and concealed wiring**. They can accommodate socket strips, enable neat wiring and moreover prevent the accidental unplugging of plugs.



Powerful isolating transformers (2000 VA) can already be installed from a width of 450 mm and can be safely incorporated in the base.



Short connection cables are assured by the **soft rubber lips** along the power column – offering easy cleaning, among other advantages.



The power columns permit as standard **separate cable routing** and **accommodation of all common socket strips** – over the entire extrusion length without losing any socket spaces.

Perfect functionality

- The sturdy **compact-cart** accommodates payloads of up to 180 kg / 396 lbs.
- The equipment truck offers a broad range of configurations, since it is available in several different widths and heights.
- The basic frame is supplied in two versions:
 - The „Economy“ version meets all your primary expectations for a functional equipment cart.
 - The „Profi“ version offers safe cabling with power columns and many other expansion options.
- The design of the base guarantees an optimum ratio of storage area to work area.

Safe power supply

- Spacious power columns accommodate all standard socket strips and also protect the power supply against unauthorized access.
- Powerful isolating transformers supplied as an option with up to 2000 VA reduce earth-leakage currents.
- A clearly visible and easily accessible on and off switch can be integrated into and protected by the power column.

Smart cable management

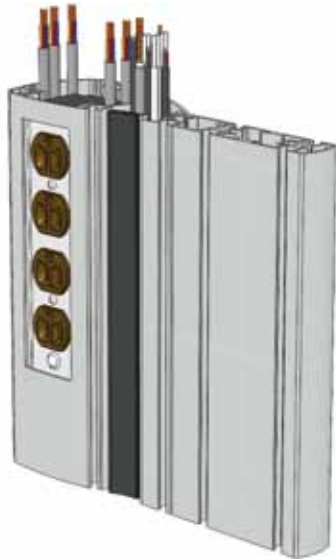
- Soft rubber lips fitted along the power column allow cables to emerge at any height.
- Both data and power supply lines can be routed separately and virtually invisibly in the spacious power columns.

compact-cart

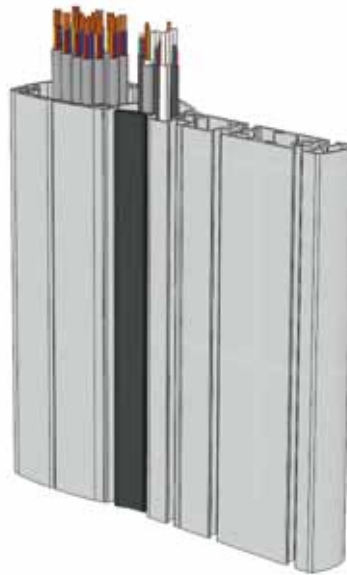


compact-cart

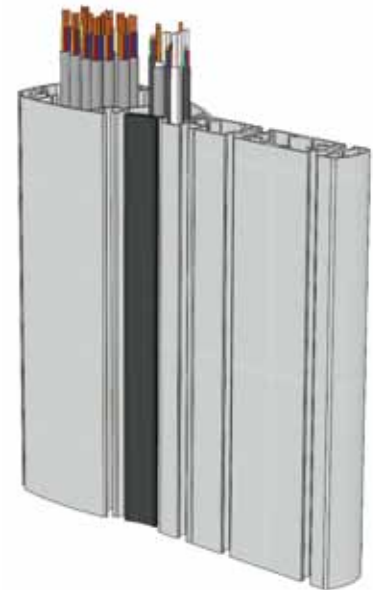
compact-cart – IMPRESSIVE WIRING MANAGEMENT



- Allows for simultaneous connection of both socket strips and cables



- Rubber lips enable cables to emerge at any point throughout the whole length of the power column.

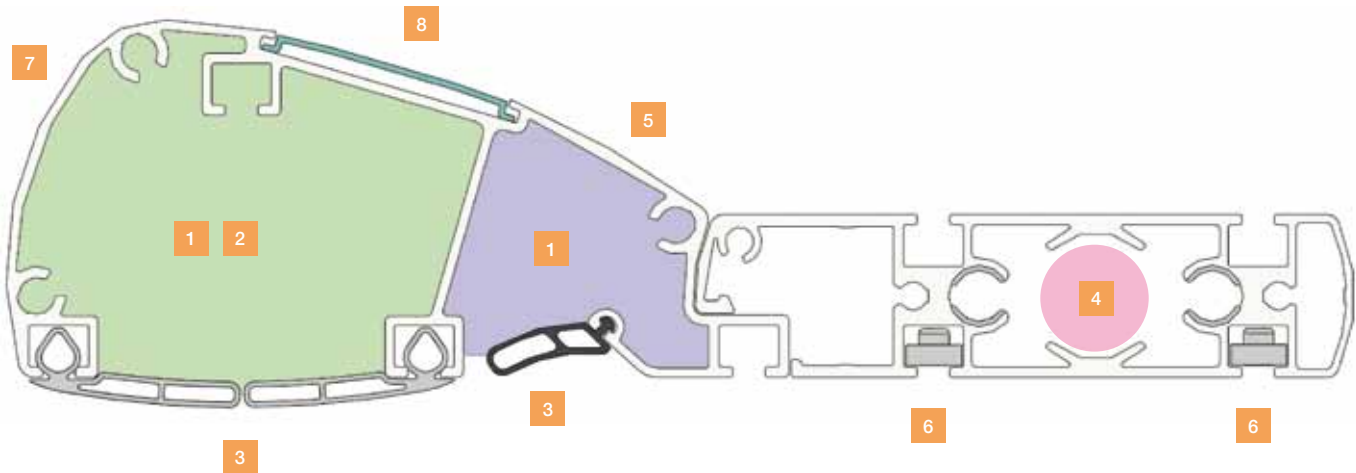


- Alternatively, the power columns can be closed off neatly and safely with cover plates.

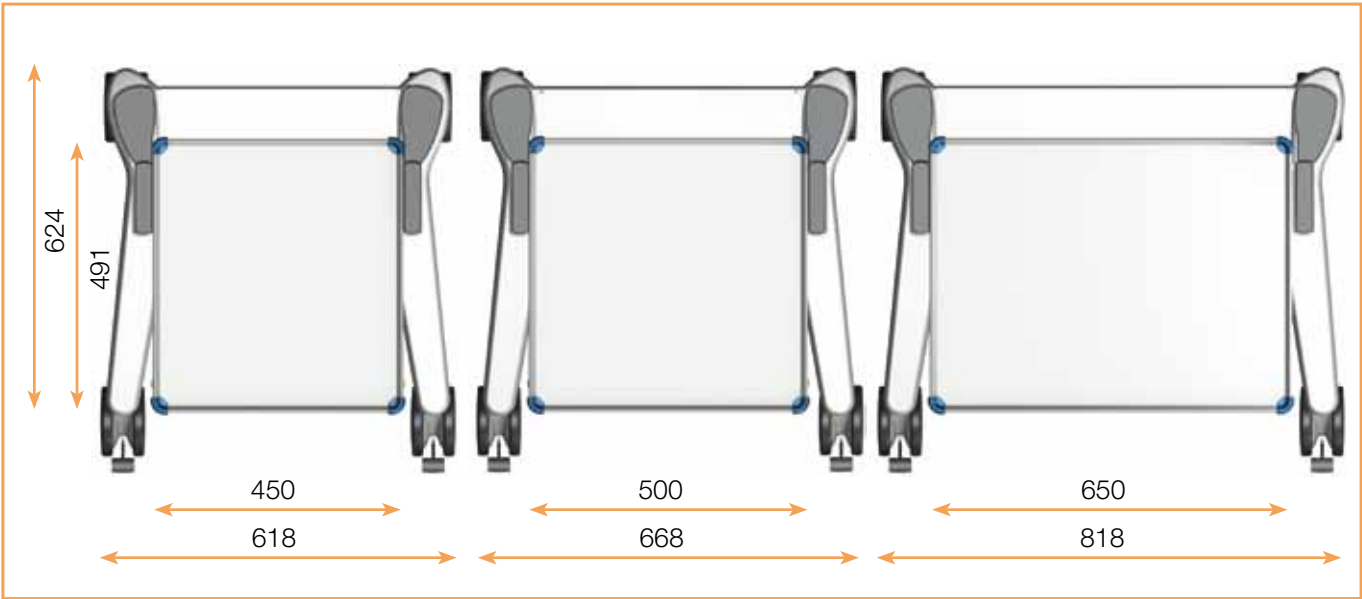
In cross-section: The **compact-cart** equipment cart's multifunctional power column.

The two-column model of the **compact-cart** offers the unique feature of its sophisticated wiring design. It is enabled by the combination of the vertical support column and the power columns, and can be summarised under the following headings:

- 1 The power columns flanking the bearing column allow protected and practically invisible connections to data and power lines. Wiring can be routed separately through the compartments into which the power columns are divided. Ample storage space for excess cable and socket strips. These also afford ample storage space for excess cable and for socket strips.
- 2 They are roomy enough to accommodate socket strips of differing dimensions as well (such as, for example, hospital grade) throughout their whole length.
- 3 Rubber lips enable cables to enter and exit without hindrance at any point of the power column.
- 4 Accessories like an IV poles or an endoscope holder can be attached separately.
- 5 Optionally, an on and off switch can be incorporated into the right power column.
- 6 T-slots fitted with tapped strips attached along the vertical column afford docking space for system components.
- 7 The smooth surfaces enable swift and thorough cleaning and disinfection.
- 8 On the outside of the power column, trimming can be inserted into grooves designed for this purpose, functioning as a design interface. The trimming can reflect the nature of the equipment or bear the firm's colour scheme.

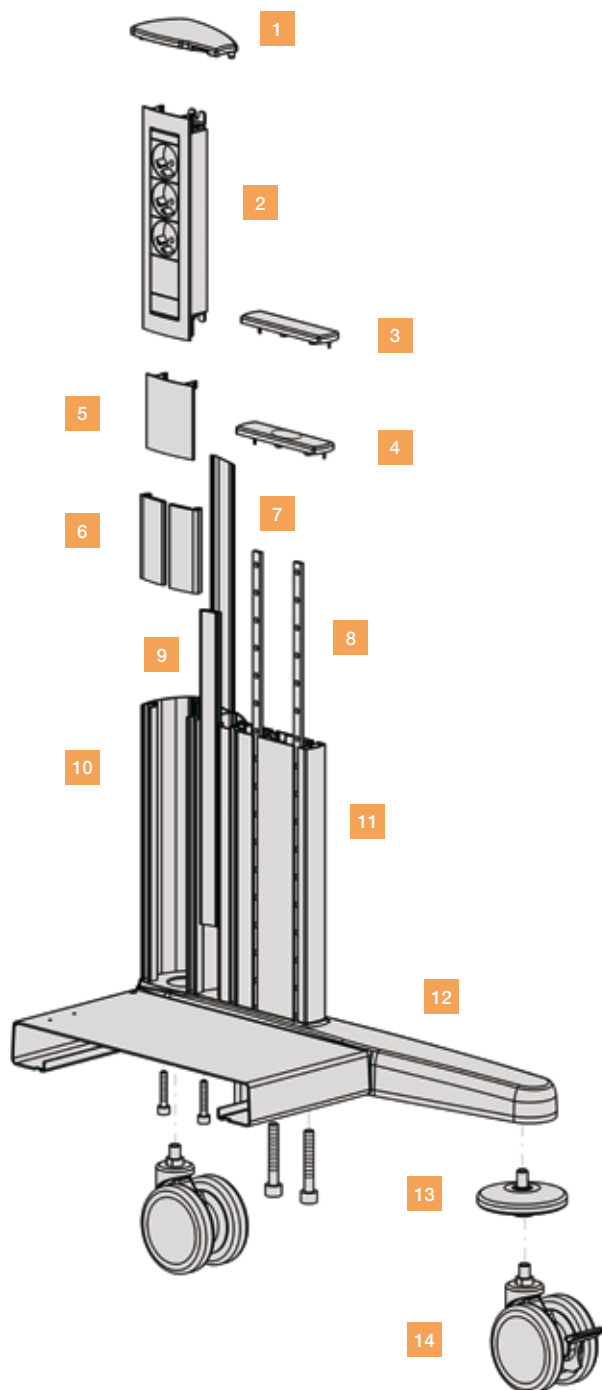


In detail: The power column solves power feed and wiring issues neatly.



All three available equipment cart widths ensure an optimum ratio of storage area to work area, thanks to the special design of the **compact-cart's** base.

DESIGN ELEMENTS AND DIMENSIONS



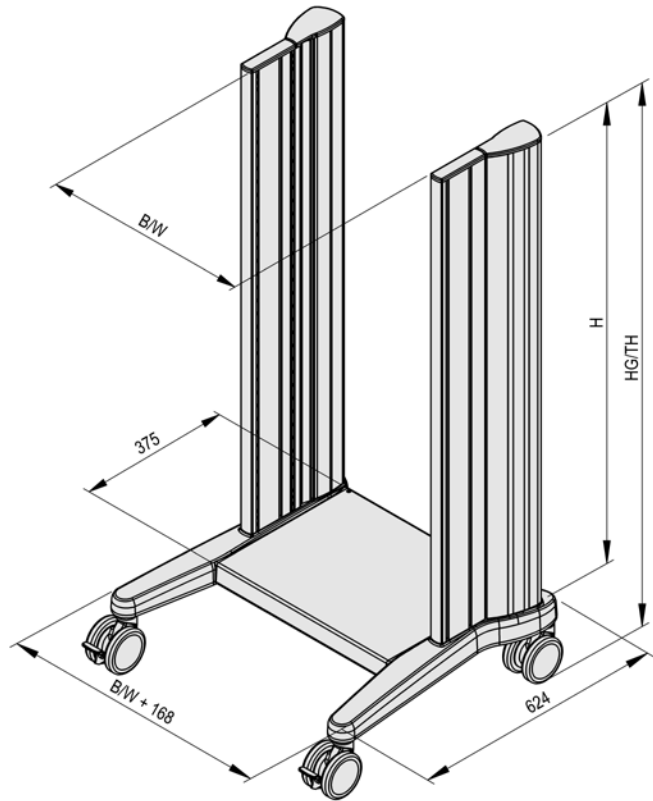
- 1 Cap of the power column (made of plastic (ABS))
- 2 Socket strip for assembly in the power column
- 3 Cap of the vertical extrusion (made of plastic (ABS))
- 4 Cap of the vertical extrusion (made of plastic (ABS)) with hole (Ø 25 mm), is used with accessories in the guide
- 5 Cover strip for closing the power column (optionally)
- 6 Cover strips (made of soft plastic), in RAL 7035 light grey
- 7 Decorative trim (made of extruded aluminium), in RAL 7035 (light grey), RAL 5015 (sky blue) or RAL 1003 (signal yellow), powder-coated
- 8 Tapped strip (made of steel) for mounting all system components in the cart interior (tapped holes M6 in increments of 32 mm)
- 9 Cover strips (made of soft plastic), in RAL 7043 traffic grey B
- 10 Power column (made of extruded aluminium) for management of cables and socket strips
- 11 Vertical extrusion (made of extruded aluminium), in RAL 7035 (light grey), powder-coated
- 12 Base (made of sheet steel) with runners (made of aluminium cast) for accommodating castors
- 13 Wall protector (optionally supplied)
- 14 Twin swivel castors Ø 100 mm or Ø 125 mm, 2 with wheel locks, optionally also supplied in conductive version

Setup basic frame „Profi“

- 1 base
- 4 twin swivel castors, lockable, Ø 100 mm or Ø 125 mm (optionally also supplied in conductive version)
- 2 vertical extrusions each with 2 tapped strips (in increments of 32 mm)
- 2 power columns with caps and cover strips
- Supplied fully assembled

Please note:

More detailed information on the **compact-cart** basic frames is provided in the chapter „System components and accessories“ on page 146.



Length of the extrusion H	Installation height H (in units)	Total height TH for castors Ø 100 mm	Total height TH for castors Ø 125 mm
960 mm	30 U ¹⁾	1146 mm	1180 mm
1120 mm	35 U ¹⁾	1306 mm	1340 mm
1280 mm	40 U ¹⁾	1466 mm	1500 mm

Total width TW	Installation width W
618 mm	450 mm
668 mm	500 mm
818 mm	650 mm

Load capacities

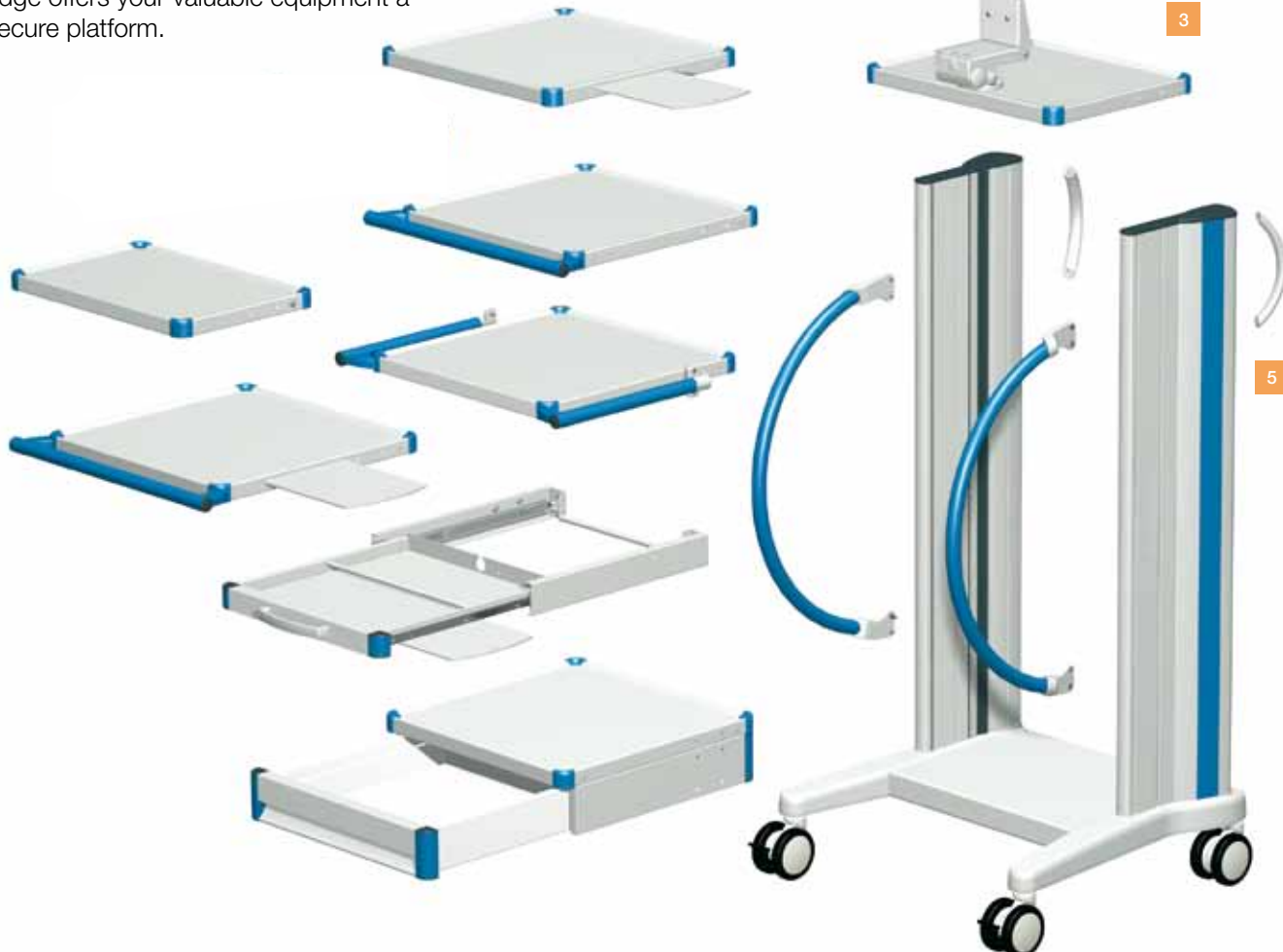
- Basic frame (total payload) 180 kg / 396 lbs
- Shelf 50 kg / 110 lbs
- Drawer 3 kg / 6.6 lbs
- Drawer, lockable 20 kg / 44 lbs
- Keyboard drawer 5 kg / 11 lbs

MODULARITY FOR NUMEROUS CONFIGURATION OPTIONS

The modular structure is the defining feature of the **compact-cart** mobile two-column equipment carts and the entire ITD product range, which allows all support systems to be configured, customised, upgraded or easily modified for special functions and application areas using the extensive standard range. This capability allows users to react fast and consistently to any changes or new customer requirements. The T-slots on the support extrusion or special devices ensure easy assembly of the components. The display presented alongside shows a small selection of accessories for the **compact-cart** equipment carts.



Shelves are supplied in different versions and the continuous raised edge offers your valuable equipment a secure platform.





2

Variable height support arms (with or without a swivel arm) can be attached by means of a bottom shelf, or else fastened directly to the power column.



3

compact-cart can accommodate several types of monitors on its bottom shelf or on a cross-beam.



2

4



4

Powerful isolating transformers (up to 2000 VA) reduce the maximum discharge current and can be safely incorporated in the equipment cart base.



5

An on and off switch can be optionally integrated in the power columns.

ORDER CONFIGURATIONS



compact-cart video cart

(Installation width W: 500 mm)
Order number: CC.5080.XXX ²⁾

Equipment cart, 35 U ¹⁾ (total height: 1306 mm), fitted with:

- 1 basic frame „Profi“ with 4 twin swivel castors, lockable, Ø 100 mm
- 3 shelves
- 1 shelf with handles at the side
- 1 block of drawers
- 1 keyboard drawer with mousepad (left / right)
- 1 cross piece with tilt and swivel monitor holder, universal, with VESA 75 / 100 adaption up to 14 kg / 30.8 lbs

Load capacity: 180 kg / 398 lbs

Finish:

- RAL 7035 light grey, powder-coated
- **Decorative trims, handles and corners** (see ²⁾)

compact-cart video cart

(Installation width W: 650 mm)
Order number: CC.6582.XXX ²⁾

Equipment cart, 35 U ¹⁾ (total height: 1340 mm), fitted with:

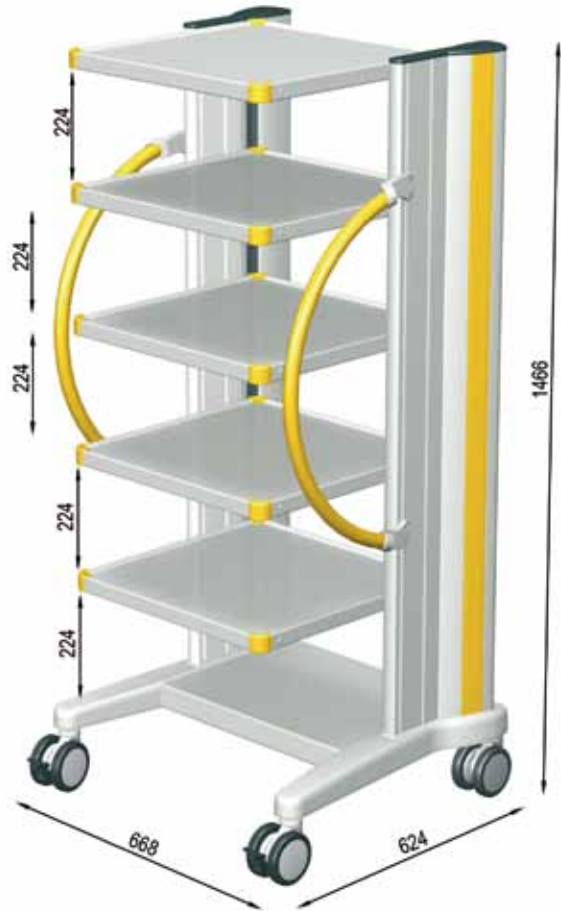
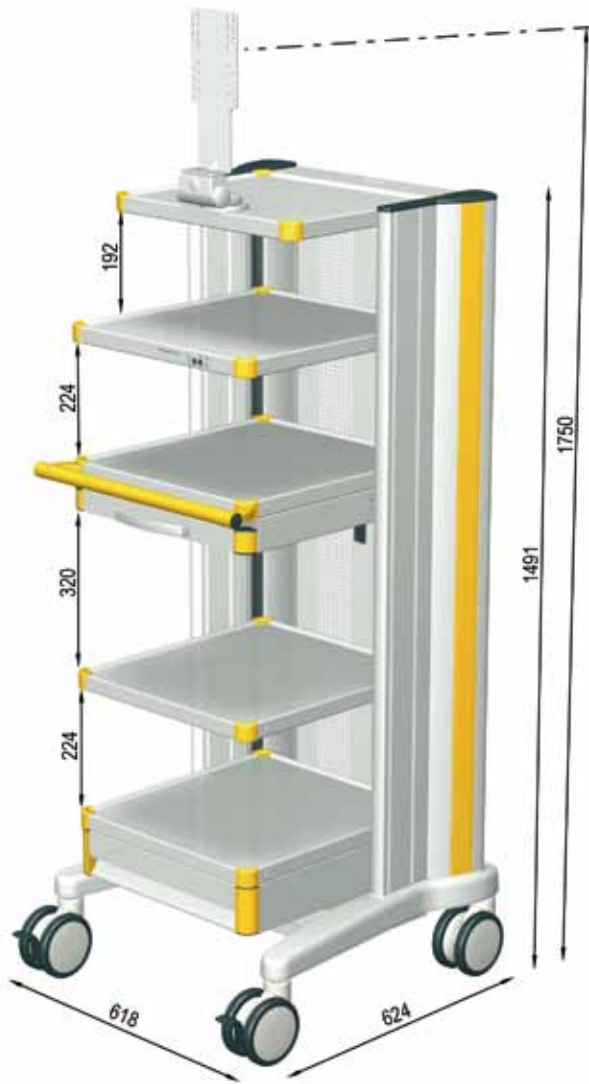
- 1 basic frame „Profi“ with 4 twin swivel castors, lockable, Ø 125 mm
- 2 shelves
- 1 shelf with handle, front
- 1 block of drawers
- 1 cross piece with tilt and swivel monitor holder with VESA 75 / 100 adaption up to 8 kg / 17.6 lbs
- 1 socket strip, earthed, 8-way, with on and off switch

Load capacity: 180 kg / 398 lbs

Finish:

- RAL 7035 light grey, powder-coated
- **Decorative trims, handles and corners** (see ²⁾)

compact-cart



compact-cart

compact-cart video cart with isolating transformer

(Installation width W: 450 mm)
Order number: VT.4510.XXX ²⁾

Equipment cart, 40 U ¹⁾ (total height: 1500 mm), fitted with:

- 1 basic frame „Profi“ with 4 twin swivel castors, lockable, Ø 125 mm, conductive
- 2 shelves
- 1 shelf with handle, front
- 1 shelf for insulation monitor
- 1 keyboard drawer with mousepad (left / right)
- 1 monitor shelf with tilt and swivel monitor holder, universal, with VESA 75 / 100 adaption up to 14 kg / 30.8 lbs
- 1 isolating transformer with 2000 VA and insulation monitor (see page 258)
- 2 rear doors

Load capacity: 180 kg / 398 lbs

Finish:

- RAL 7035 light grey, powder-coated
- **Decorative trims, handles and corners** (see ²⁾)

compact-cart video cart

(Installation width W: 500 mm)
Order number: CC.5081.XXX ²⁾

Equipment cart, 40 U ¹⁾ (total height: 1466 mm), fitted with:

- 1 basic frame „Profi“ with 4 twin swivel castors, lockable, Ø 100 mm
- 5 shelves
- 2 vertical rounded handles, front

Load capacity: 180 kg / 398 lbs

Finish:

- RAL 7035 light grey, powder-coated
- **Decorative trims, handles and corners** (see ²⁾)



¹⁾ 1 U = 32 mm

²⁾ Trim colour: make sure you replace .XXX with .903 = RAL 7035 light grey, .908 = RAL 5015 sky blue, .909 = RAL 1003 signal yellow

OVERVIEW

SYSTEM COMPONENTS AND ACCESSORIES

Basic frame „Economy“	Installation height 21 U ¹⁾ Installation height 30 U ¹⁾ Installation height 35 U ¹⁾ Installation height 40 U ¹⁾	Installation width	W 450 mm EB.4502.991 EB.4503.991 EB.4504.991 EB.4505.991	W 500 mm EB.5002.991 EB.5003.991 EB.5004.991 EB.5005.991	
Basic frame „Profi“	Installation height 30 U ¹⁾ Installation height 35 U ¹⁾ Installation height 40 U ¹⁾	Installation width	W 450 mm CC.4503.XXX ²⁾ CC.4504.XXX ²⁾ CC.4505.XXX ²⁾	W 500 mm CC.5003.XXX ²⁾ CC.5004.XXX ²⁾ CC.5005.XXX ²⁾	W 650 mm CC.6503.XXX ²⁾ CC.6504.XXX ²⁾ CC.6505.XXX ²⁾
Rear door	Installation height 30 U ¹⁾ Installation height 35 U ¹⁾ Installation height 40 U ¹⁾	Installation width	W 450 mm CC.4560.991 CC.4561.991 CC.4562.991	W 500 mm CC.5060.991 CC.5061.991 CC.5062.991	W 650 mm CC.6560.991 CC.6561.991 CC.6562.991
Castor conversion kit	Ø 100 mm, conductive, instead of standard Ø 100 mm Ø 125 mm, conductive, instead of standard Ø 100 mm Ø 125 mm, conductive, instead of standard Ø 100 mm, conductive wall protector				ZV.9428.999 ZV.9923.999 ZV.9924.999 ZV.9964.999
Shelf		Installation width	W 450 mm CC.4520.XXX ²⁾ CC.4521.XXX ²⁾ CC.4524.XXX ²⁾ CC.4522.XXX ²⁾ CC.4523.XXX ²⁾ CC.4527.XXX ²⁾	W 500 mm CC.5020.XXX ²⁾ CC.5021.XXX ²⁾ CC.5024.XXX ²⁾ CC.5022.XXX ²⁾ CC.5023.XXX ²⁾ CC.5027.XXX ²⁾	W 650 mm CC.6520.XXX ²⁾ CC.6521.XXX ²⁾ CC.6524.XXX ²⁾ CC.6522.XXX ²⁾ CC.6523.XXX ²⁾ CC.6527.XXX ²⁾
Rack base		Installation width	W 450 mm GW.4567.991	W 500 mm GW.5067.991	W 650 mm CC.6567.991
Keyboard drawer		Installation width	W 450 mm CC.4550.XXX ²⁾	W 500 mm CC.5050.XXX ²⁾	W 650 mm CC.6520.XXX ²⁾
PC / Computer holder	for mounting on the inside of the extrusion small, up to 5 kg / 11 lbs large, up to 20 kg / 44 lbs				GW.0709.991 TS.6144.991 TS.6146.991
Power pack holder	universal, small universal, large				TS.0524.991 TS.0574.991
Monitor holder		Installation width	W 450 mm CC.4531.991 CC.4532.991 CC.4529.XXX ²⁾ CC.4566.991 CC.4565.XXX ²⁾	W 500 mm CC.5031.991 CC.5032.991 CC.5029.XXX ²⁾ CC.5066.991 CC.5065.XXX ²⁾	W 650 mm CC.6531.991 CC.6532.991 CC.6529.XXX ²⁾ CC.6566.991 CC.6565.XXX ²⁾
Monitor holder	with VESA 75 / 100, up to 8 kg / 17.6 lbs (for retrofitting on monitor shelf) with VESA 75 / 100, universal, up to 14 kg / 30.8 lbs, on vertical extrusion				GW.0844.991 GW.0885.991
Pivot arm	1 unit, with VESA 75 / 100, up to 8 kg / 17.6 lbs 1 unit, with VESA 75 / 100, up to 14 kg / 30.8 lbs 2 units, with VESA 75 / 100, up to 8 kg / 17.6 lbs 2 units, with VESA 75 / 100, up to 14 kg / 30.8 lbs				TS.6314.991 TS.6375.991 TS.6315.991 TS.6381.991
Variable height support arm flexion-port (with VESA 75 / 100 adaption)	length 300 mm, load capacity 3-10 kg / 6.6-22 lbs length 300 mm, load capacity 8-14 kg / 17.6-30.8 lbs length 400 mm, load capacity 3-10 kg / 6.6-22 lbs length 400 mm, load capacity 8-14 kg / 17.6-30.8 lbs length 600 mm, load capacity 3-10 kg / 6.6-22 lbs length 600 mm, load capacity 8-14 kg / 17.6-30.8 lbs				HA.2200.XXX ²⁾ HA.2207.XXX ²⁾ HA.2201.XXX ²⁾ HA.2208.XXX ²⁾ HA.2202.XXX ²⁾ HA.2209.XXX ²⁾
Variable height support arm flexion-port (with VESA 75 / 100 adaption) on pivot arm	length 300 mm + 350 mm, load capacity 3-10 kg / 6.6-22 lbs length 300 mm + 350 mm, load capacity 8-14 kg / 17.6-30.8 lbs length 400 mm + 350 mm, load capacity 3-10 kg / 6.6-22 lbs length 400 mm + 350 mm, load capacity 8-14 kg / 17.6-30.8 lbs				HA.2218.XXX ²⁾ HA.2224.XXX ²⁾ HA.2219.XXX ²⁾ HA.2225.XXX ²⁾

Cross piece	Installation width 1 unit, for variable height support arms flexion-port	W 450 mm HA.4511.991	W 500 mm HA.5011.991	W 650 mm HA.6572.991
Monitor shelf	Installation width with VESA 75 / 100, universal, up to 14 kg / 30.8 lbs, <u>without</u> pivot arm for variable height support arms flexion-port	W 450 mm CC.4573.XXX ²⁾	W 500 mm CC.5073.XXX ²⁾	W 650 mm CC.6573.XXX ²⁾
	with VESA 75 / 100, universal, up to 14 kg / 30.8 lbs, <u>with</u> pivot arm for variable height support arms flexion-port	CC.4572.XXX ²⁾	CC.5072.XXX ²⁾	CC.6572.XXX ²⁾
Variable height support arm flexion-port (with VESA 75 / 100 adaption) for cross piece / monitor shelf	length 300 mm, load capacity 3-10 kg / 6.6-22 lbs			HA.2230.XXX ²⁾
	length 300 mm, load capacity 8-14 kg / 17.6-30.8 lbs			HA.2232.XXX ²⁾
	length 400 mm, load capacity 3-10 kg / 6.6-22 lbs			HA.2231.XXX ²⁾
	length 400 mm, load capacity 8-14 kg / 17.6-30.8 lbs			HA.2233.XXX ²⁾
Variable height support arm flexion-port (with VESA 75 / 100 adaption) on pivot arm for cross piece / monitor shelf	length 300 mm + 350 mm, load capacity 3-10 kg / 6.6-22 lbs			HA.2234.XXX ²⁾
	length 300 mm + 350 mm, load capacity 8-14 kg / 17.6-30.8 lbs			HA.2236.XXX ²⁾
	length 400 mm + 350 mm, load capacity 3-10 kg / 6.6-22 lbs			HA.2235.XXX ²⁾
	length 400 mm + 350 mm, load capacity 8-14 kg / 17.6-30.8 lbs			HA.2237.XXX ²⁾
Handle	for tilt and swivel unit with VESA 75 / 100 adaptation (and spring force assistance)			TS.0808.991
Counterweight kit	above the base traverse under the base traverse			HA.2093.991 ZV.9511.991
Drawer	Installation width	W 450 mm CC.4540.XXX ²⁾	W 500 mm CC.5040.XXX ²⁾	W 650 mm CC.6540.XXX ²⁾
	1 unit, high	CC.4541.XXX ²⁾	CC.5041.XXX ²⁾	CC.6541.XXX ²⁾
Storage basket	tapered			ZV.9967.800
	stainless steel			ZV.9893.999
	tapered, small			ZV.9892.991
Endoscope holder	single, in the vertical extrusion			GW.0867.991
	single, on shelf / standard runner			GW.0868.991
	dual, in the vertical extrusion			GW.0869.991
	dual, on shelf / standard runner			GW.0870.991
Drain glas	an vertical extrusion			ZV.9963.999
	on telescopic bar			ZV.9986.999
Connector holder	accommodates up to three endoscope connectors			ZV.9833.999
Rinsing bottle holder				GW.9805.999
Hose holder				GW.9882.999
Camera holder	with clamp			GW.9990.999
	cable holder			GW.9983.991
				GW.9807.991
Gel bottle holder	for Ø 60 mm			GW.0800.991
Bottle holder	for Ø 120 mm			GW.0400.991
	for Ø 145 mm			GW.0401.991
Gas bottle holder	for gas bottles with max. 2 l content			GW.0466.991
	for gas bottles with 3 / 5 / 10 l content, max. Ø 145 mm			GW.0160.991
	for gas bottles with max. 20 l content, max. Ø 205 mm			GW.0285.991
IV pole	4 arm, with one-hand adjustment, 4 x 2 kg / 4 x 4.4 lbs			ZV.9882.800
	4 arm, with one-hand adjustment, 4 x 5 kg / 4 x 11 lbs			ZV.9464.800
Standard runner	length 390 mm			GW.9801.991
Anchor	rigid			ZV.9820.799
	on rotation unit			TS.6286.991

OVERVIEW

SYSTEM COMPONENTS AND ACCESSORIES

Clamp	on standard runner, Ø 16 mm on standard runner, Ø 18 mm on shelf, Ø 16 mm on shelf, Ø 18 mm			ZV.9876.999 ZV.9877.999 ZV.9878.999 ZV.9879.999
Rail fastener	for drain glas			ZV.9957.999 ZV.9958.999
Holder for suction system	accommodation in the outer T-slots	Ergoline / Strässle GW.0570.991	Hellige / KISS GW.0702.991	custo med GW.0704.991
Adapter piece	Ø 25 mm (outside)	Ø 13 mm (inside) ZV.9901.999	Ø 16 mm (inside) ZV.9952.999	Ø 18 mm (inside) ZV.9953.999
Foot switch cradle				ZV.9991.991
Holder for transducer				GW.0843.991
Equipment fixing				FC.0221.991
Box holder	„Dracula“			ZV.9832.999
Jointed arm	with hose clamps (Ø 16 mm) for small equipment (Ø 18 mm)			ZV.9955.799 ZV.9680.999
Push handle	vertical handle, front rear			FC.0217.XXX ²⁾ FC.0215.991
Socket strip	EURO, 6-way, with external ground connection cable EURO, 8-way, with external ground connection cable earthed, 6-way, with external ground connection cable earthed, 8-way, with external ground connection cable earthed, 8-way, with switch and external ground connection cable earthed, 8-way, with on and off switch French Standard, 6-way, with external ground connection cable			ZV.9562.999 ZV.9377.999 ZV.9563.999 ZV.9564.999 ZV.9565.999 ZV.9566.999 ZV.9567.999
Socket strip mounting kit	with cable winder			FC.0302.991 GW.0631.991
Cable winder				FC.0253.991
Power cable for EURO socket strips	earthed Swiss Standard British Standard US Standard		without equipotential bonding cable ZV.9809.799 ZV.9798.799 ZV.9860.799 ZV.9770.799	with equipotential bonding cable ZV.9620.999
EURO power cable	length 0,6 m length 1,0 m length 1,5 m length 2,0 m length 2,5 m			ZV.9773.799 ZV.9960.799 ZV.9371.799 ZV.9372.799 ZV.9373.799
Adapter cable	length 0,3 m			ZV.9959.799
Equipotential bonding	equipotential plug panel with 6 equipotential plugs equipotential cable, 0,3 m equipotential cable, 0,5 m equipotential cable, 1,0 m equipotential cable, 1,5 m equipotential cable, 5,0 m			ZV.9940.999 CC.0276.999 ZV.9941.999 ZV.9942.999 ZV.9943.999 ZV.9488.999 ZV.9944.999
Isolating transformer	1200 VA 1600 VA 2000 VA		without insulation monitor ZV.9358.999 ZV.9362.999 ZV.9360.999	with insulation monitor ZV.9359.999 ZV.9363.999 ZV.9361.999

On and off switch	to integrate in the power column	CC.0337.999
LED stick	with 2 clips with mounting plate with adhesive socket	ZV.9378.999 ZV.9379.999
Spring nuts	M6 (50 pieces)	ZV.9851.999

You will find a comprehensive description and ordering information on all components in the „**system components and accessories**“ section.

System components and accessories	from page 128
Order number index	from page 258